

COMFORT CHAIR 2009 XXL

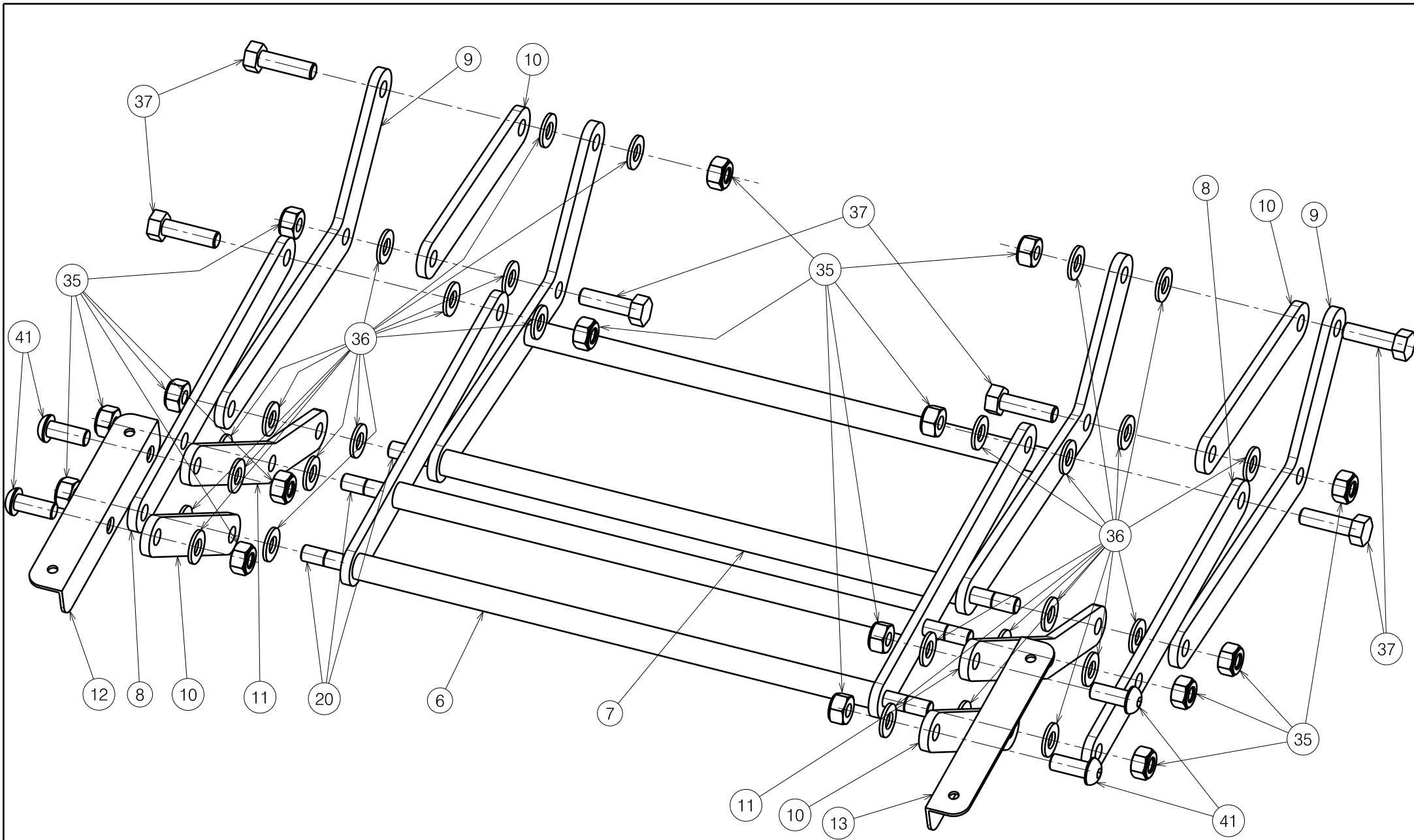
Sheet 1/4 - FRAME


|            |            |            |            |
|------------|------------|------------|------------|
| Scale: 1:6 | Drafted    | Verified   | Confirmed  |
| Date       | 20/11/2009 | 08/07/2014 | 08/07/2014 |
| Initials   | DDR        | NV         | PJ         |

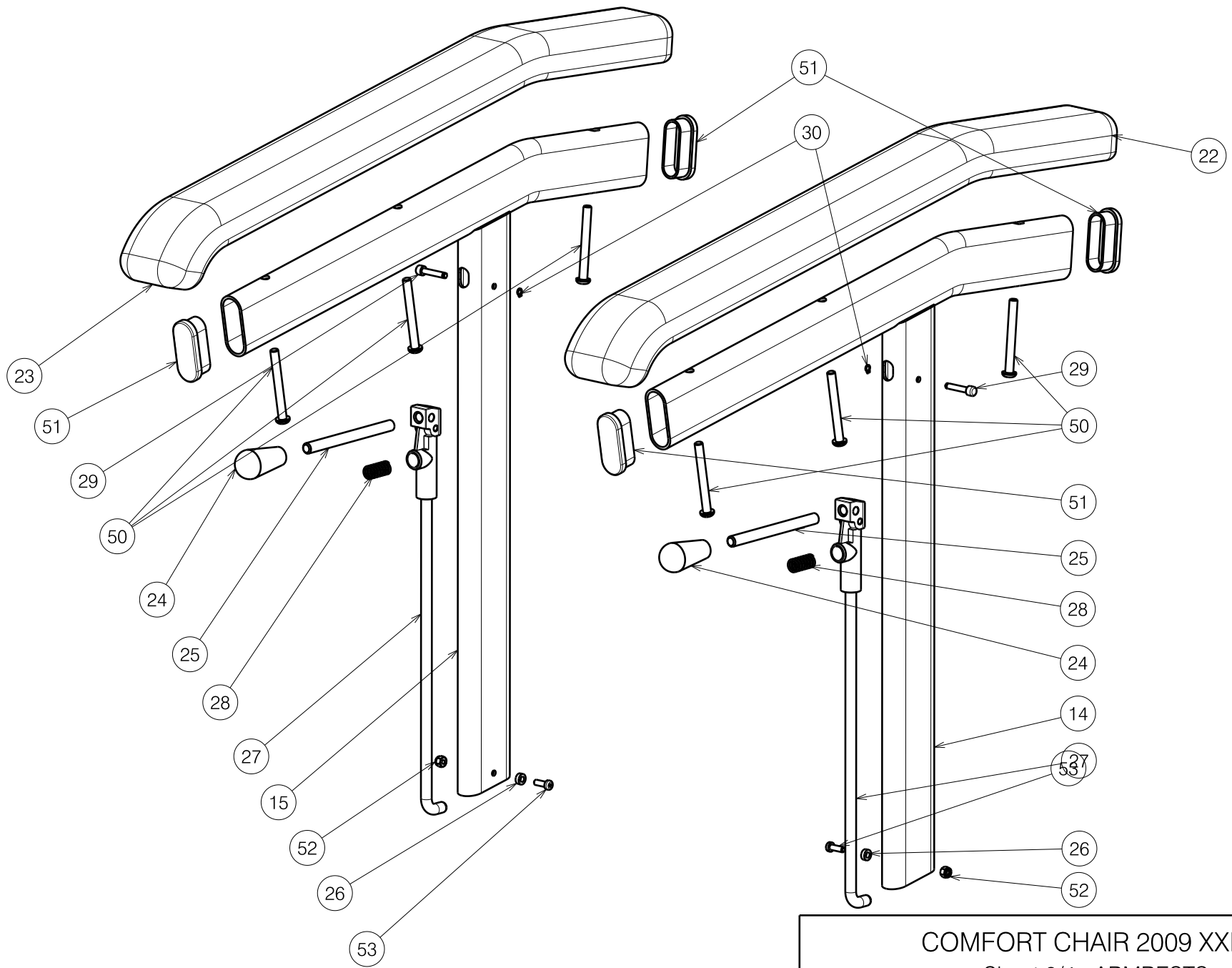
Plan Number


E000602/G





|                            |            |            |            |   |
|----------------------------|------------|------------|------------|---|
| COMFORT CHAIR 2009 XXL     |            |            |            | Plan Number   |
| Sheet 2/4 - FOOTREST FRAME |            |            |            | E000602/G   |
| Scale: 1:4                 | Drafted    | Verified   | Confirmed  |  |
| Date                       | 20/11/2009 | 08/07/2014 | 08/07/2014 |   |
| Initials                   | DDR        | NV         | PJ         |   |




|                        |            |            |            |   |
|------------------------|------------|------------|------------|---|
| COMFORT CHAIR 2009 XXL |            |            |            | Plan Number   |
| Sheet 3/4 - ARMRESTS   |            |            |            | E000602/G   |
| Scale: 1:4             | Drafted    | Verified   | Confirmed  |  |
| Date                   | 20/11/2009 | 08/07/2014 | 08/07/2014 |   |
| Initials               | DDR        | NV         | PJ         |   |

Bill of material

| No. | Plan    | Article | Quantity | No. | Plan    | Article | Quantity | No.  | Plan | Article | Quantity |
|-----|---------|---------|----------|-----|---------|---------|----------|------|------|---------|----------|
| 1   | Y015538 | 1715982 | 1        | 27  | XP00208 | 2990139 | 2        | 53   | ---  | 1900952 | 2        |
| 2   | Y015532 | 1717282 | 1        | 28  | XP00179 | 1824400 | 2        | 54** | ---  | 1003022 | 2        |
| 3   | Y012249 | 1667282 | 2        | 29  | XP00180 | 1824500 | 2        |      |      |         |          |
| 4   | Y015193 | 1715082 | 1        | 30  | XP00297 | 2990125 | 2        |      |      |         |          |
| 5   | Y015536 | 1716201 | 1        | 31  | ---     | 1001450 | 2        |      |      |         |          |
| 6   | Y015544 | 1716082 | 1        | 32  | ---     | 1001610 | 4        |      |      |         |          |
| 7   | Y015545 | 1716182 | 1        | 33  | ---     | 1001684 | 2        |      |      |         |          |
| 8   | Y015823 | 1724782 | 2        | 34  | ---     | 1993285 | 2        |      |      |         |          |
| 9   | Y015824 | 1724882 | 2        | 35  | ---     | 1001683 | 18       |      |      |         |          |
| 10  | Y015825 | 1724982 | 4        | 36  | ---     | 1001557 | 30       |      |      |         |          |
| 11  | Y015826 | 1725082 | 2        | 37  | ---     | 1003785 | 6        |      |      |         |          |
| 12  | Y016177 | 1730382 | 1        | 38  | ---     | 1993594 | 1        |      |      |         |          |
| 13  | Y016178 | 1730482 | 1        | 39  | ---     | 1009800 | 1        |      |      |         |          |
| 14  | Y016024 | 1725101 | 1        |     |         |         |          |      |      |         |          |
| 15  | Y016025 | 1725201 | 1        | 41  | ---     | 1992165 | 4        |      |      |         |          |
| 16  | X000319 | G080200 | 1        | 42  | ---     | 1003277 | 2        |      |      |         |          |
| 17  | X001296 | G065155 | 1        | 43  | ---     | 1001564 | 4        |      |      |         |          |
| 18  | X004586 | 1904800 | 4        | 44  | ---     | 1006111 | 2        |      |      |         |          |
| 19  | X004587 | 1904801 | 2        | 45  | ---     | 1001680 | 3        |      |      |         |          |
| 20  | X004645 | 1730500 | 3        | 46  | ---     | 1007000 | 8        |      |      |         |          |
| 21  | X002480 | 1993793 | 2        | 47  | ---     | 1001670 | 8        |      |      |         |          |
| 22  | XP00177 | 2990116 | 1        | 48  | ---     | 1991373 | 2        |      |      |         |          |
| 23  | XP00178 | 2990117 | 1        | 49  | ---     | 1001498 | 2        |      |      |         |          |
| 24  | ---     | 1998407 | 2        | 50  | ---     | 1006997 | 7        |      |      |         |          |
| 25  | XP00176 | 1824100 | 2        | 51  | ---     | 1990980 | 4        |      |      |         |          |
| 26  | XP00192 | 1826100 | 2        | 52  | ---     | 1001678 | 2        |      |      |         |          |

\* Not Depicted

\*\* Not mounted, delivered separately

|                              |            |            |            |   |
|------------------------------|------------|------------|------------|---|
| COMFORT CHAIR 2009 XXL       |            |            |            | Plan Number   |
| Sheet 4/4 - BILL OF MATERIAL |            |            |            | E000602/G   |
| Scale: 1:4                   | Drafted    | Verified   | Confirmed  |  |
| Date                         | 20/11/2009 | 08/07/2014 | 08/07/2014 |   |
| Initials                     | DDR        | NV         | PJ         |   |