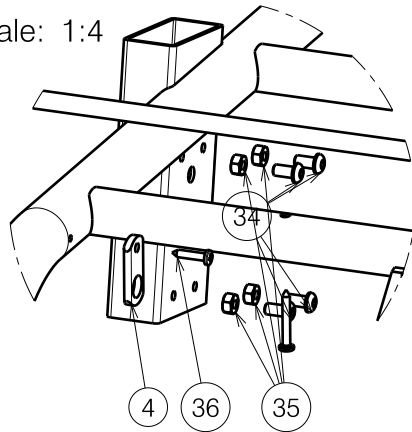
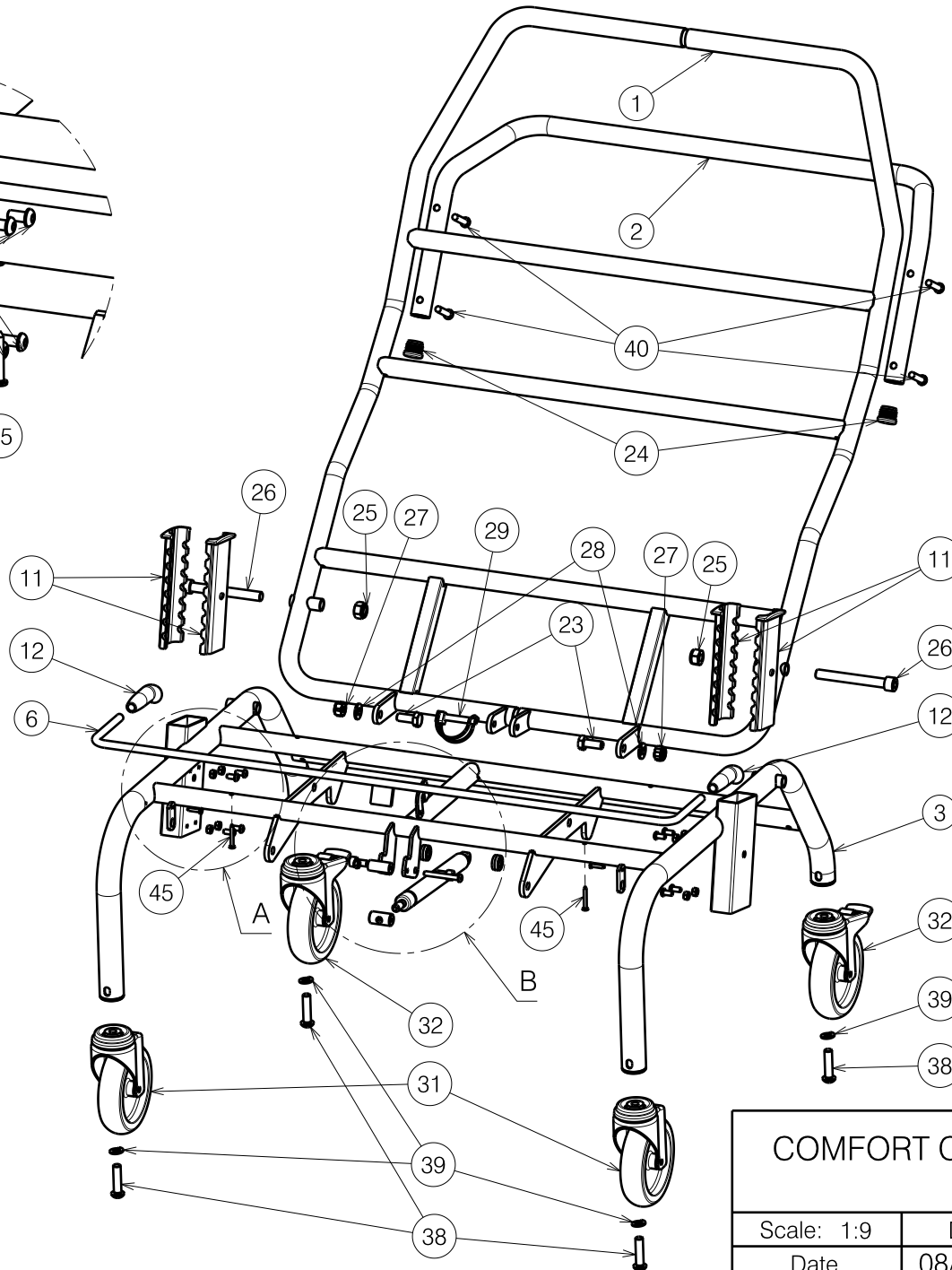
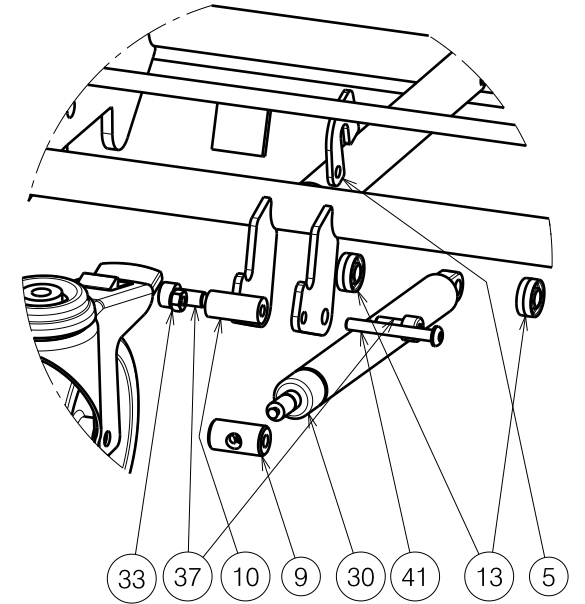


Detail A
Scale: 1:4



Detail B
Scale: 1:4



COMFORT CHAIR 2009 XXL WITH WHEELS

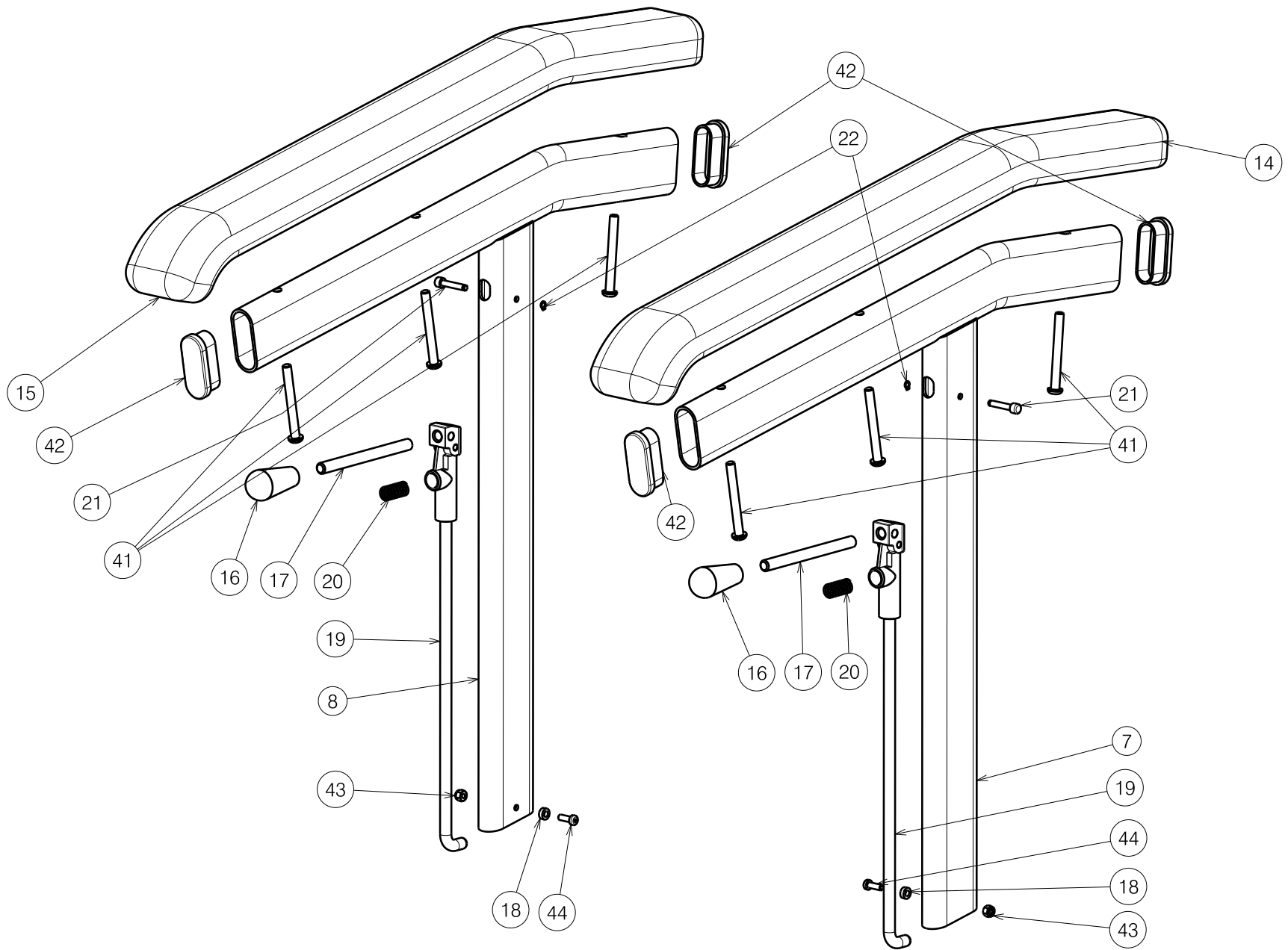
Sheet 1/3 - FRAME


Scale: 1:9	Drafted	Verified	Confirmed
Date	08/12/2009	08/07/2014	08/07/2014
Initials	DDR	NV	PJ

Plan Number

E000608/E






COMFORT CHAIR 2009 XXL WITH WHEELS Sheet 2/3 - ARMRESTS				Plan Number
				E000608/E
Scale: 1:4	Drafted	Verified	Confirmed	
Date	08/12/2009	08/07/2014	08/07/2014	
Initials	DDR	NV	PJ	

Bill of material								
No.	Plan	Article	Quantity		No.	Plan	Article	Quantity
1	Y016046	1728482	1		27	---	1001683	2
2	Y016044	1730182	1		28	---	1001557	2
3	Y015961	1728082	1		29	---	1993594	1
4	Y012249	1667282	2		30	---	1009800	1
5	Y015193	1715082	1		31	---	1001258	2
6	Y015536	1716201	1		32	---	1001259	2
7	Y016024	1725101	1		33	---	1001680	1
8	Y016025	1725201	1		34	---	1007000	8
9	X000319	G080200	1		35	---	1001670	8
10	X001296	G065155	1		36	---	1991373	2
11	X004586	1904800	4		37	---	1001498	2
12	X004587	1904801	2		38	---	1992592	4
13	X002480	1993793	2		39	---	1001566	4
14	XP00177	2990116	1		40	---	1008739	4
15	XP00178	2990117	1		41	---	1006997	7
16	---	1998407	2		42	---	1990980	4
17	XP00176	1824100	2		43	---	1001678	2
18	XP00192	1826100	2		44	---	1900952	2
19	XP00208	2990139	2		45**	---	1003022	2
20	XP00179	1824400	2					
21	XP00180	1824500	2					
22	XP00297	2990125	2					
23	---	1001450	2					
24	---	1001608	2					
25	---	1001684	2					
26	---	1993285	2					

* Not Depicted

** Not mounted, delivered separately

COMFORT CHAIR 2009 XXL WITH WHEELS				Plan Number
Sheet 3/3 - BILL OF MATERIAL				E000608/E
Scale: 1:4	Drafted	Verified	Confirmed	
Date	08/12/2009	08/07/2014	08/07/2014	
Initials	DDR	NV	PJ	